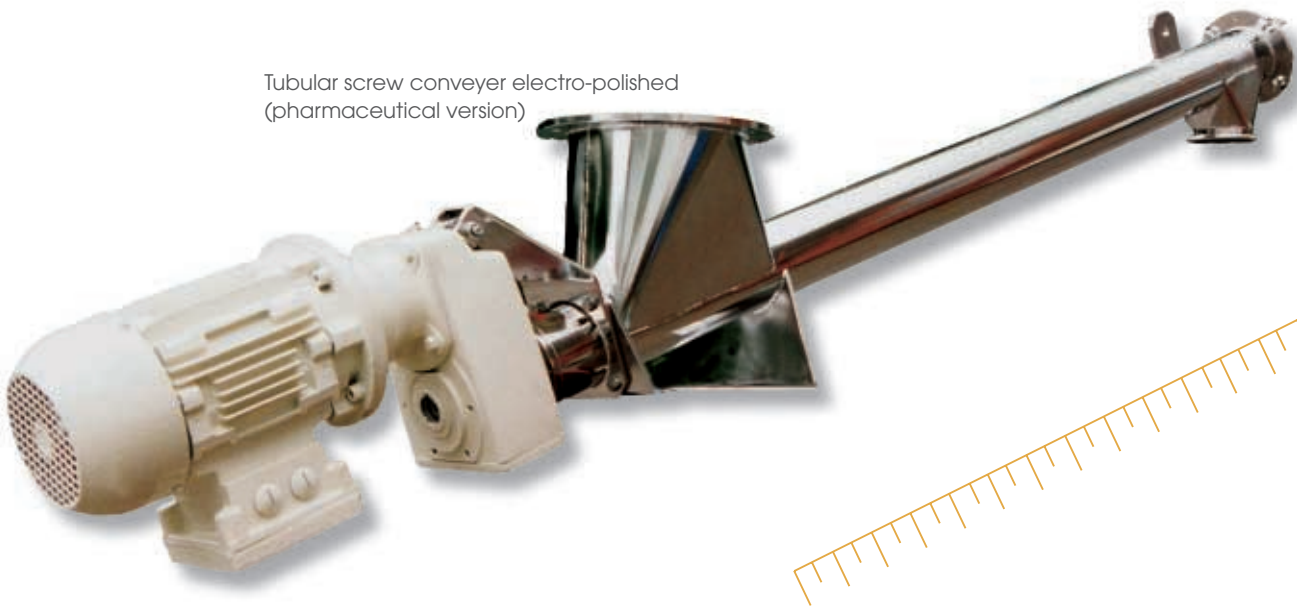





Romberger®-

Screw Conveyors

Tubular screw conveyor electro-polished
(pharmaceutical version)



Romberger® Plus Points:

-  generous dimensions of the machines and drives with adequate power reserves
-  stable, modular design for easy assembly and maintenance
-  low conveying speed makes it easy on products and low wearing; also gives the machine a long working life
-  can be made to suit all customer requirements
-  wide range of possible areas of application
-  high quality with precise measurement and fitting accuracy
-  outstanding service for life by our Customer Service Department



We move things along®
Romberger®

Screw Conveyors



Trough screw conveyor with quickly detachable front wall and screw shaft for cleaning

Types:

- trough screw conveyor
- tubular screw conveyor
- paddle screw conveyor
- dosing screw conveyor
- cooling and heating screw conveyor
- double and multiple screw conveyor
- spiral screw conveyor

Material:

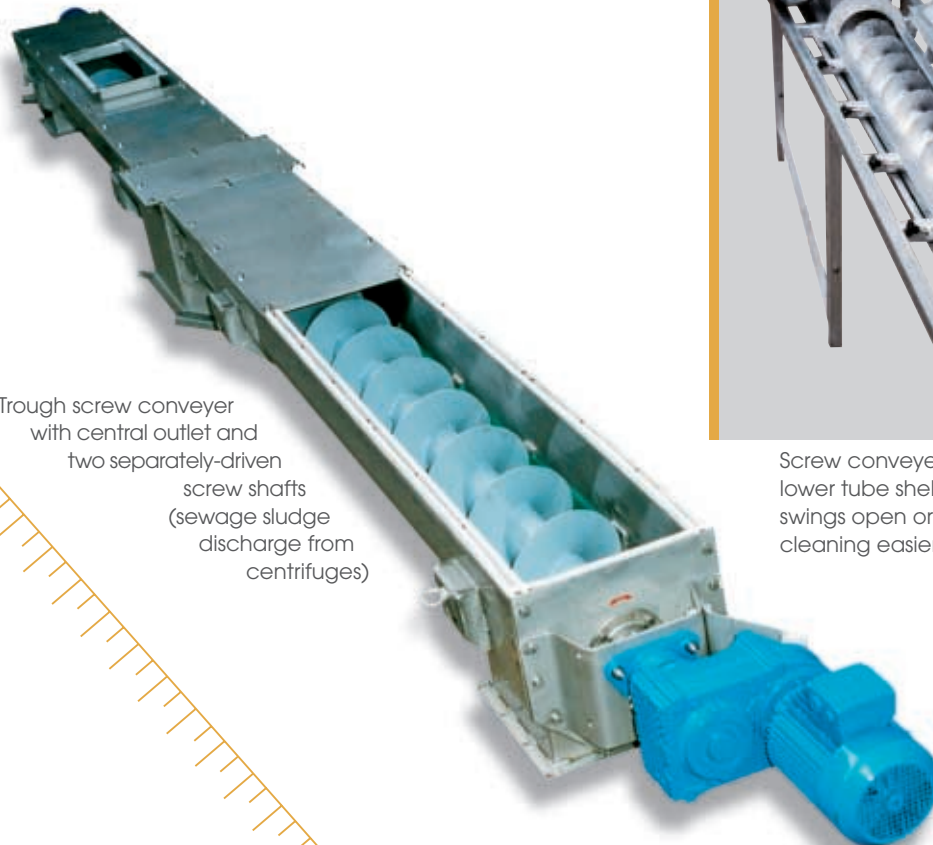
all suitable materials; especially sheet steel (also galvanised) or types of stainless steel

Performance:

0.1 to 400 m³/h

Conveying angle:

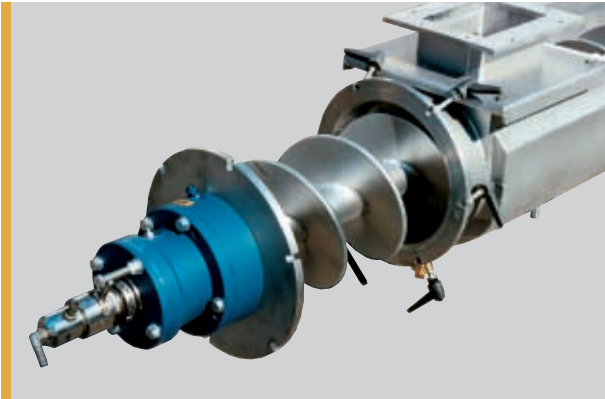
0° to 90°



Trough screw conveyor with central outlet and two separately-driven screw shafts (sewage sludge discharge from centrifuges)



Screw conveyor, upper and lower tube shell half, which swings open or shut to make cleaning easier



Trough screw conveyor supported on one side, with cooled shaft and casing and screw shaft which can be pulled out

Drive:

- generously designed parallel-shaft geared motor
- as slip-on gear mechanism or adapted to suit any customer requirement

Bearings:

- drive and end bearings with flange or pedestal supports
- for long lengths, intermediate bearings or shafts of greater dimensions are used
- unilateral bearing

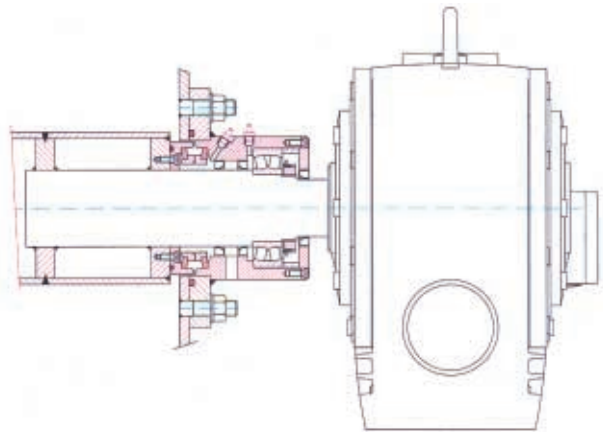
Sealing:

- dust-tight
- gas-tight
- odour-tight
- fluid-tight

Screw flight:

- normal flight
- spiral thread without shaft
- conical flight
- strip flight
- double flight
- paddle

Thread diameter: 50 to 800 mm
Combinations of the thread versions are possible at any time



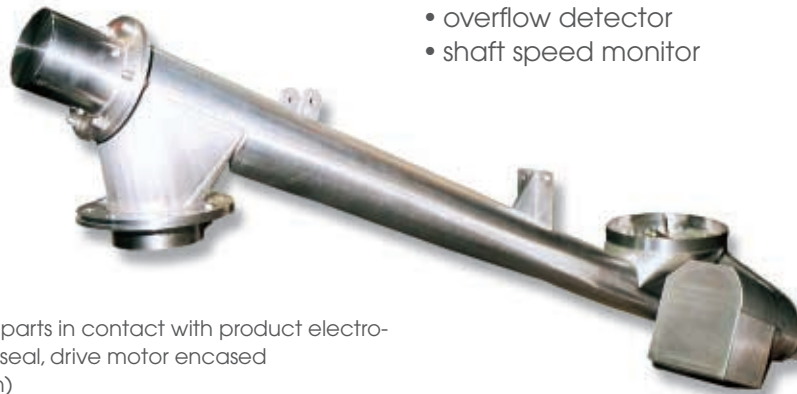
Worm bearing, compact self-aligning roller bearing with axial face ring seal, greasing points and leaking water outlet

Inlet and outlet:

- according to customer requirements
- precisely adapted to existing systems

Control and Safety Devices:

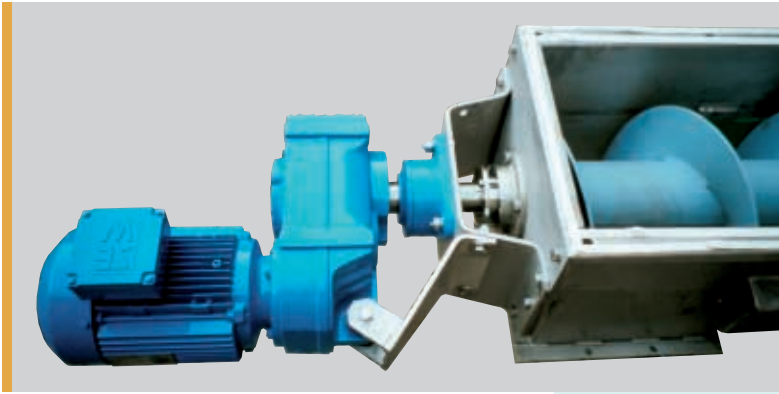
- overflow detector
- shaft speed monitor



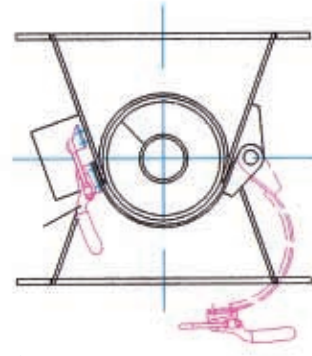
Tubular screw conveyor, parts in contact with product electro-polished, axial face ring seal, drive motor encased (pharmaceutical version)



We move things along®
Romberger



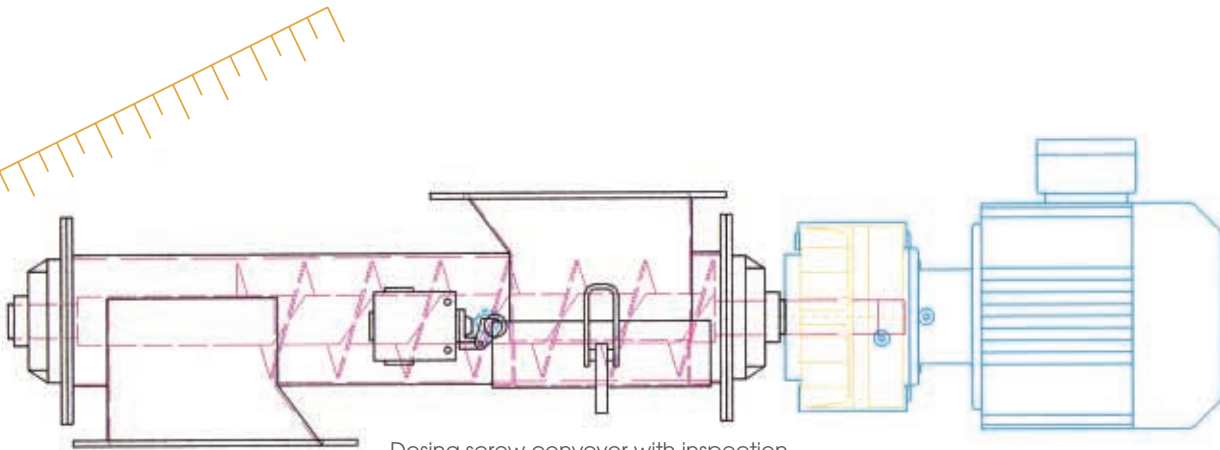
Trough screw conveyor with offset bearings and stuffing box seal



Tube screw conveyor with lower tube half which swings shut
 → Emptying of residue or cleaning

Alternative Designs/Accessories:

- progressive flight pitch
- right and left flight for simultaneous transport in two directions
- with base which can be swung down/removed to make cleaning easy or with screw shaft which can be pulled out
- with plastic lining
- foodstuffs-compatible version
- pharmaceutical version
- version in accordance with ATEX Guidelines
- dosing screw conveyors with two contra-rotating thread shafts, suitable for sluggish products



Dosing screw conveyor with inspection window to facilitate emptying product residue (with safety locking bolt)



We move things along®
Romberger

Maschinenfabrik GmbH · Germany
 Triffener Str. 54 · D-84371 Anzenkirchen
 Phone +49 / (0) 85 62 / 208-0
 Fax +49 / (0) 85 62 / 208-11
 e-mail: mail@romberger.de
 Website: www.romberger.de

